

GROVE

STANDHEIZUNG
ENGINE-INDEPENDENT HEATING

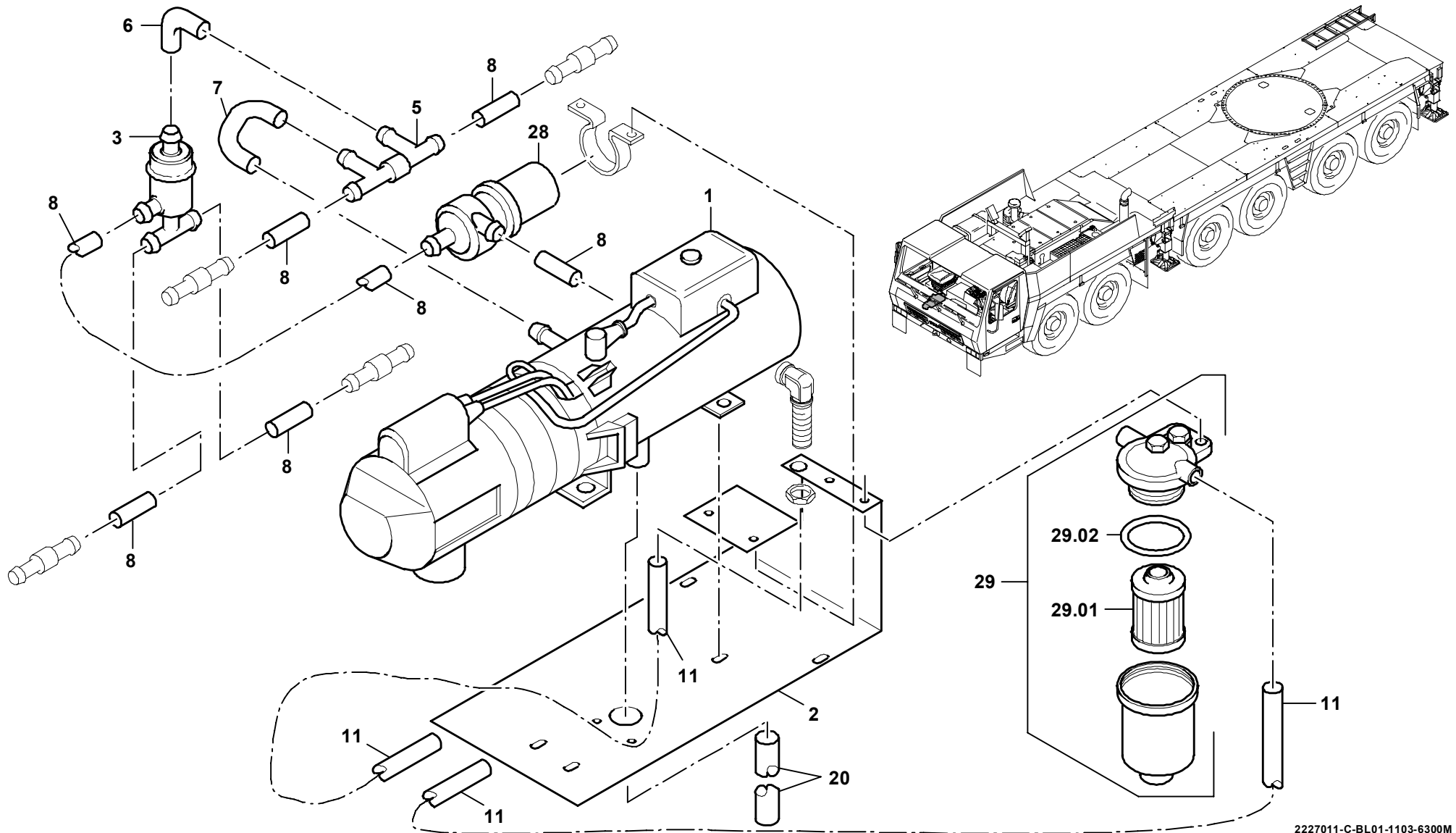
BILDTAFEL
PICTORIAL DISPLAY

11.03

2227011-ETL C

1/1

GMK 6300
BE 753
G 291



2227011-C-BL01-1103-6300M